

ATOMIST

MANUAL



ATOMIST ELECTRIC SPRAYER

OPERATION:

IMPORTANT! Before operating your Atomist, read the following instructions carefully

DO NOT operate this sprayer in a small enclosed area, or any area where spray or any foreign material could be sucked in the air intake, located in the back of the unit.

1. Read this Owner's Manual completely. Be certain to keep this Manual for permanent reference.
2. When operating the Atomist, avoid harmful overheating of the motor. Be sure the air intake is kept open at all times.
3. Do not use the Atomist for paint spraying.
4. Do not spray, using flammable liquids, for prolonged periods in small enclosed areas.
5. If the cord becomes damaged, it must be replaced before further use.
6. If the spray pattern becomes irregular during operation, switch the Atomist off, remove the intake strainer and clean the screen.
7. As you finish spraying, switch off the motor; tip the discharge hose and nozzle up, above horizontal, so that any solution in the supply tube can drain back down into the tank. (1026 only)



GENERAL INFORMATION:

Your Atomist is unique in that it is equally efficient as a spray applicator in areas of all types from small rooms in hospitals, hotels and offices, to large enclosures such as auditoriums, dairy barns and food processing areas. It is also ideal for use out of doors as a fast, effective space spray applicator to control mosquito and other flying insects.

USE PESTICIDES SAFELY!!

Observe these basic precautions:

1. Read the label on each pesticide container before use. Follow instructions; heed all cautions and warnings. Why read the label each time? Because the chemical nature of pesticides and their uses vary greatly. You should refresh your mind each time on the material's specific uses.
2. Store pesticides in their original, labeled containers. Keep them out of reach of children and irresponsible people. They cannot be properly identified unless they are in original labeled containers. Lock pesticides away from seed and other supplies.
3. Apply pesticides only as directed. Apply them only to the crops specified, in amounts specified and at times specified in label instructions or by your agricultural authorities.

CONVERSION FACTORS FOR USE IN MIXING SPRAY SOLUTIONS

Note: All measures are liquid or capacity measures; not avoirdupois or by weight measures

3 teaspoons = 1 tablespoon	1 pint = 16 ounces
1 tablespoon = ½ ounce	2 pints = 1 quart
2 tablespoons = 1 ounce	1 quart = 32 ounces
8 ounces = 1 cup	4 quarts = 1 gallon
2 cups = 1 pint	1 gallon = 128 ounces

BASIC OPERATION

Atomist sprayers are provided with a t shatter and corrosion resistant 2-gallon canister, ideal for use with all types of insecticides, germicides, deodorants and disinfectants. To fill, loosen the clamp and remove the sprayer off the canister. Lay the sprayer on its side in a clean place. Fill the canister with the desired amount of spray material. Reposition the sprayer on the canister top and snap the clamp so it fits on tightly. The Atomist sprayer is now ready for operation. Check the switch to make sure it is in "OFF" position. Plug the cord into a 110/120-volt AC outlet. Point the Atomist in the desired direction and switch the unit "ON". Discharge rate can be adjusted by turning the knurled discharge control.

DISCHARGE CHARACTERISTICS:

SPRAY ADJUSTMENT

Model 1952B has an adjustment range of 1.5 to 5.3 gallons per hour. Discharge rates are affected by variation in substances applied, altitude, liquid level in container and prevailing climatic conditions. Spray direction is variable through all degrees between 35° upward to 35° downward.

SPRAY DISTANCE

In carefully controlled testing of basic unit, spray pattern is detectable up to 100 feet from nozzle. Throughout this range there is no floor wetting.

SPRAY WETTABLE POWDERS

The Atomist readily sprays wettable powders at a maximum discharge rate of 5.3 gallons per hour. Since wettable powders are available in a wide variety of formulations, it is advisable to make a preliminary trial of each individual formulation as you use it in your Atomist, to be sure that the necessary discharge rate is obtainable.

SPRAY PATTERNS

The unit atomizes 95% of its output to particles of less than 50 microns using generally approved testing material. Average particle size is 20 microns.

AFTER USE

To store the Model 1952B Atomist or to change spray materials, detach the sprayer from the canister and turn it on to flush out any spray material. The sprayer should be emptied of any unused spray solution and the canister should be washed after which the unit should be re-assembled. After use with wettable powders, detach the canister, immerse the supply tube in clear water and flush until no residue can be seen in the supply tube. Wash the canister thoroughly.

GENERAL SPECIFICATIONS MODEL 1952B ATOMIST SPRAYER

Supply Tank – 2-gallon capacity molded polyethylene canister with embossed filler markings, highly chemical resistant.

Electric Motor – heavy-duty brush type with ball bearings. 115 Volt AC, 20,000 RPM average speed. Vinyl covered 18 gauge three-wire cord is fitted with molded three-prong plug.

Motor Housing – Heavy duty, high impact polypropylene.

Handle & Frame – Welded construction, black epoxy coated. Easy to open for filling and cleaning.

Supply Tube – Flexible vinyl tube with weighted brass intake filter that screens out foreign particles.



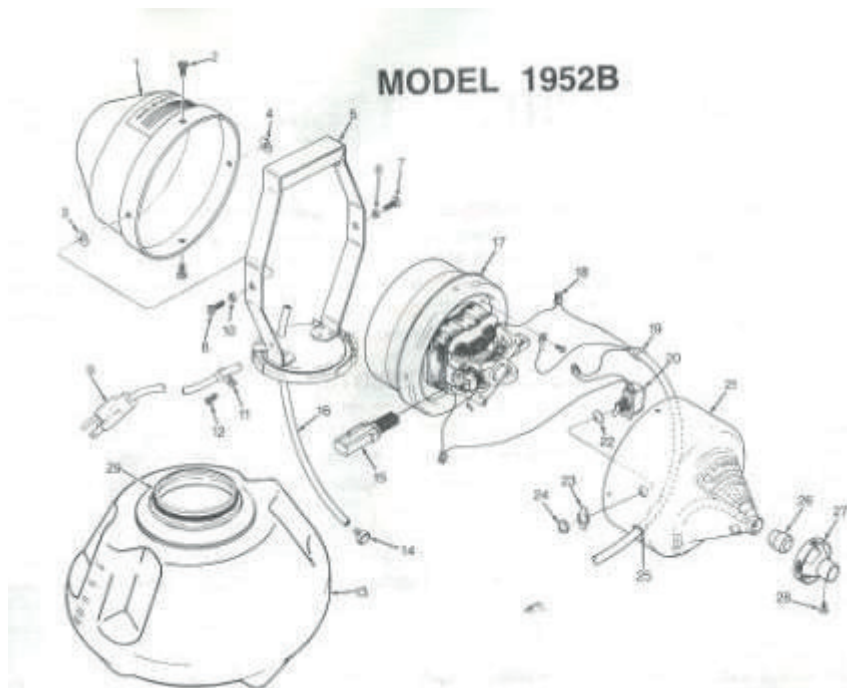


Figure No.	Part No.	Description
1	952-650	Intake housing
2,3,4,6,7,8,10	Available in housing kit	Housing kit
5	952-602	Handle & frame assy
9,11,12	Available in cord kit	Cord kit
13	952-552	Canister
14	941-380	Intake strainer
15	953-500	Brush kit 2 req'd
16	927-730	Supply tube 19"
17	Available in motor kit	Motor kit
18	Available in motor kit	Motor kit
19	Available in motor kit	Motor kit
20	Available in motor kit	Motor kit
21	944-865	Outlet housing
22,23,24	Available in switch kit	Switch kit
25	950-460	Grommet 2 req'd
26	952-610	Nozzle, brass
27	952-630	Adjustment hub
28	801-796	Hub screw brass
29	805-202	Canister gasket
Not illustrated	954-545	Fan assembly
Not illustrated	946-705	Housing kit
Not illustrated	944-825	Switch kit

Not illustrated	944-820	Cord kit
Not illustrated	944-850	Motor kit

ATOMIST SERVICE POLICY

In the event that service or repair should prove to be necessary, the following precautions must be kept in mind.

1. Do not attempt service or parts replacement beyond installation of those parts itemized in the Service Pars section that follows. Service to the motor requires special equipment and discharge rates are carefully tested after service by factory personnel.
2. For the above reasons, we recommend that you always return your Atomist to the place of purchase for service.

Before returning your Atomist clean the unit thoroughly. Units containing obvious residue from the sprayed chemicals will not be accepted and they will be returned to the sender freight collect.

Pack the unit carefully. Enclose a note describing the problem with the unit and address the package to: Service Department Rittenhouse, 1402 Fourth Avenue St. Catharines, Ontario Canada L2R 6P9. Be sure to pay the freight charges when you send the unit as freight collect shipments will be refused.

SPECIAL NOTICE TO USERS

We caution each user of this equipment to read carefully and make sure he understands and follows the directions furnished by the manufacturer of pesticides or other chemicals to be applied. Exceeding of tolerance limits may cause damage to crops, plants, and livestock or to persons.

Damage in transit, wearing of nozzles, or other parts, temperature, altitude, climatic factors and manners of use may affect the perforations of this equipment. Careful maintenance, approved calibration procedures and repeated testing of output are necessary for safe and satisfactory results. Users must determine that the rate of application is proper for the chemical being used, and the conditions under which it is being applied.



Plan Carefully For Best Results

The best way to familiarize yourself with the discharge characteristics and fast coverage of your air blast type Atomist is to make a test run with it over a typical area of your property. When you do this, use water instead of insecticide and practice moving along at a steady pace to get an even application. A timetable of this sort coordinated with the known capability of your Atomist, enables you to estimate how long it will take and how much spray solution will be required to perform routine spraying jobs.

For example, with the selector valve on “fine” (no tank pressure) setting and the nozzle control hub at low adjustment, the 2-gallon tank will be emptied in one hour and 20 minutes. With the control hub adjusted to high setting, selector valve still “fine”, a tank load of 2 gallons will be emptied in about 24 minutes. This rate is established by using water only.

